

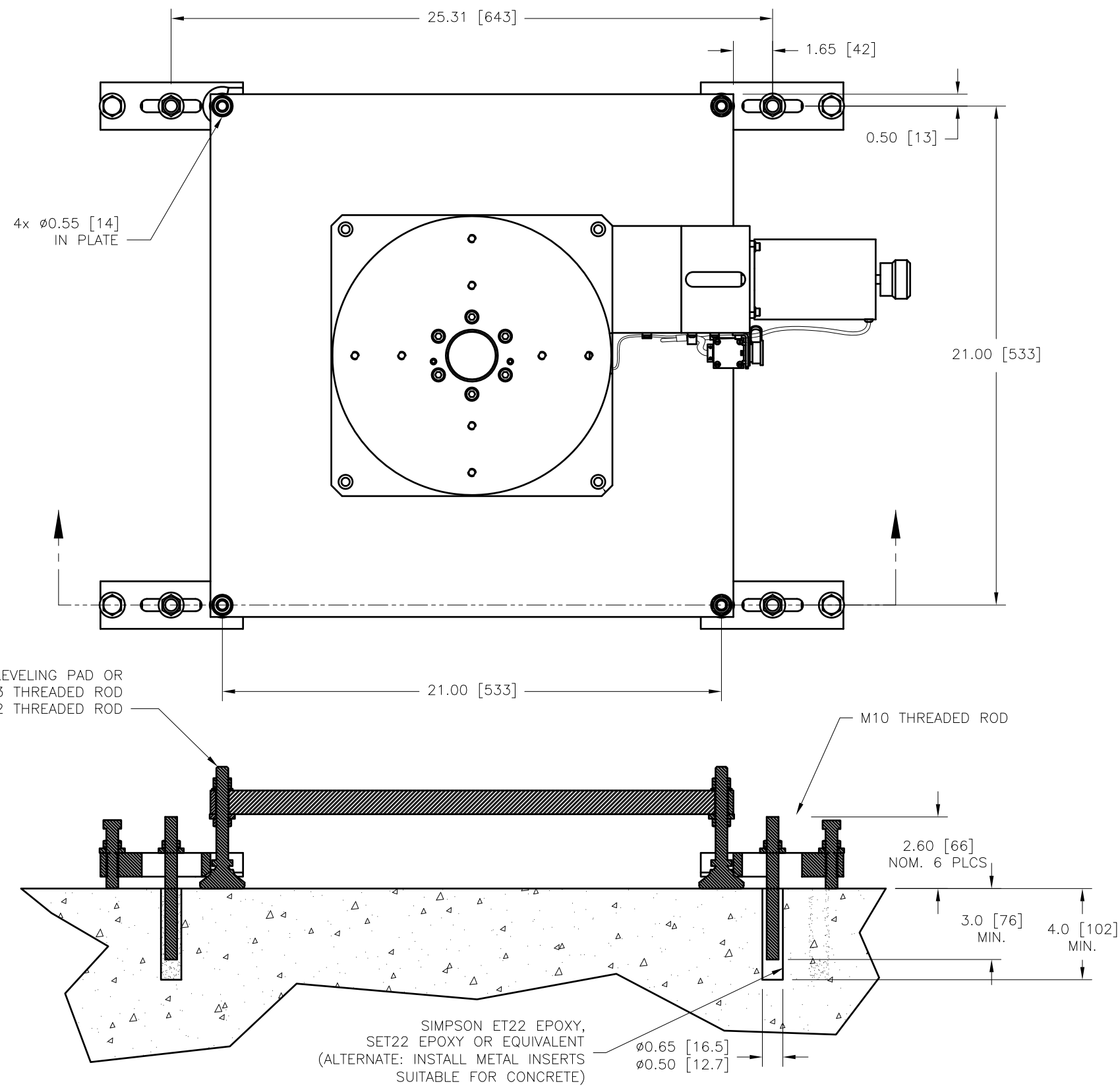
A

B

C

D

E



**NSI** NEARFIELD SYSTEMS INC.

TITLE  
INTERFACE CONTROL DRAWING  
NSI-SC-5635 (RT300B) TO FLOOR

SIZE D	CAGE CODE OKDP3	DWG NO. NSI-SC-5635	REV. -
SCALE DO NOT SCALE DRAWING			SHEET 2 OF 2

NSI PROPRIETARY  
This document contains proprietary information and except with written permission of Nearfield Systems, Inc. such information shall not be published or disclosed to others, or to be used for any purpose, and the document shall not be copied in whole or in part.

A

B

C

D

E