

NOTES UNLESS OTHERWISE SPECIFIED:

1. UNIT WEIGHT IS 85 LB [38.56 KG].

REVISIONS						
CN NUMBER	REV	DESCRIPTION	DWN	RVD	APPR	DATE
		Initial Release				

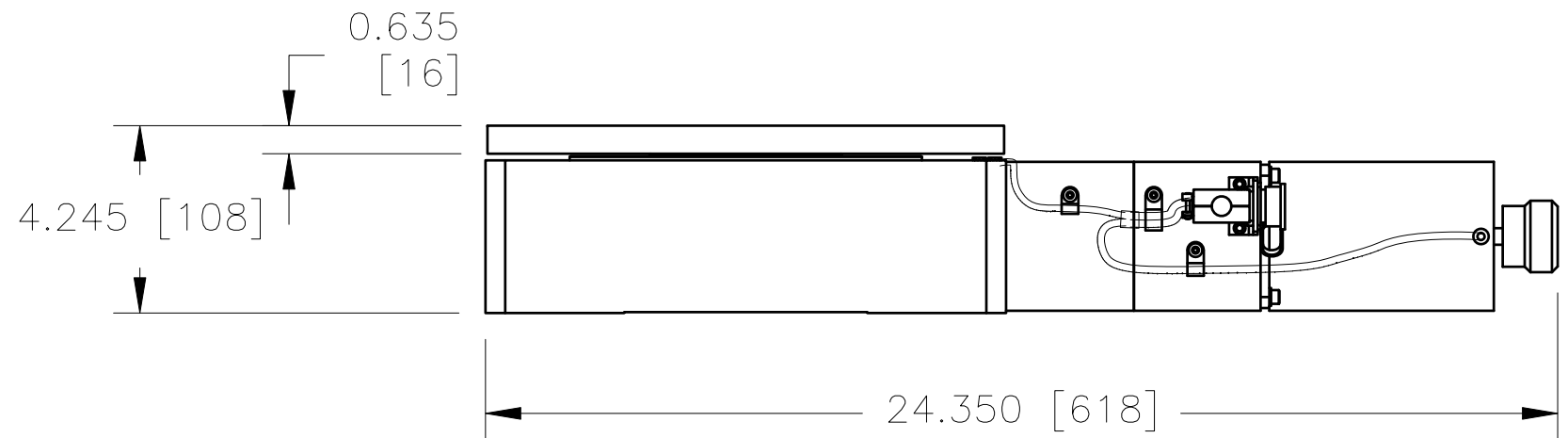
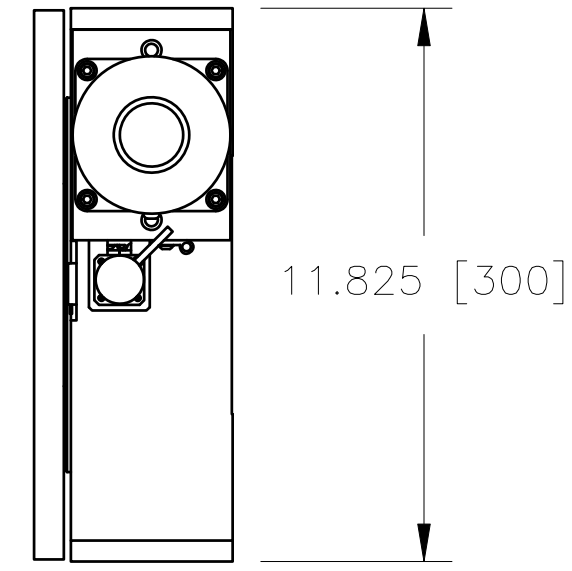
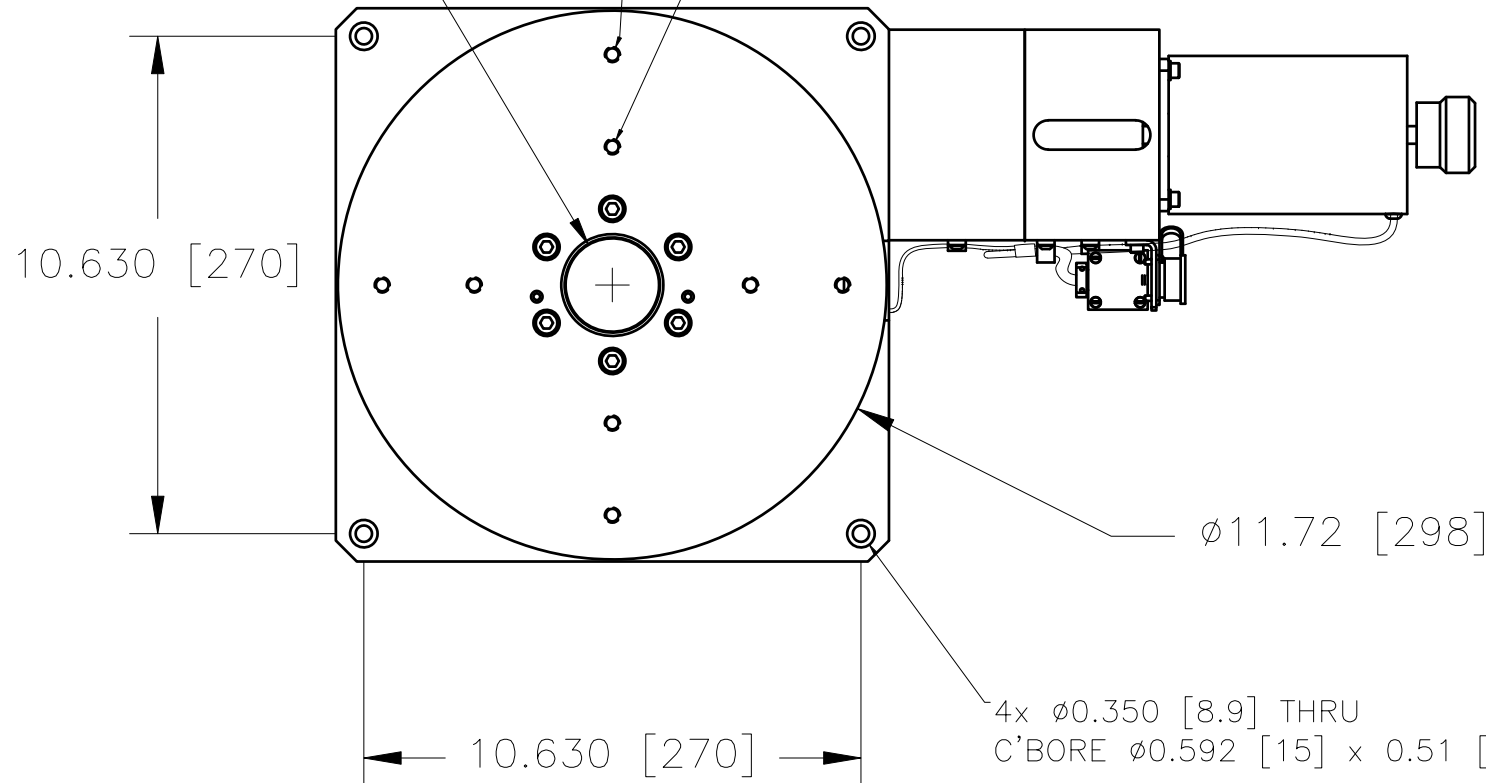
4x M8-1.25 THREAD
EQ. SPACED ON A $\phi 9.843$ [250] BOLT CIRCLE
0.50 [12] MAX THREAD DEPTH

4x M8-1.25 THREAD
EQ. SPACED ON A $\phi 5.906$ [150] BOLT CIRCLE,
0.50 [12] MAX THREAD DEPTH

$\phi 2.00$ [51] THRU

$\phi 11.72$ [298]

4x $\phi 0.350$ [8.9] THRU
C'BORE $\phi 0.592$ [15] x 0.51 [13] DEEP



<p>UNLESS OTHERWISE SPECIFIED DIMENSIONS ARE IN INCHES TOLERANCES ARE: FRACTIONS DECIMALS ANGLES $\pm 1/64$.X ± 0.1 $\pm 1'$.XX ± 0.03 .XXX ± 0.010 BREAK CORNERS: .01/.02 SURFACE ROUGHNESS $\sqrt{1.6}$</p>		<p>CONTRACT NO.</p>		<p>NSI NEARFIELD SYSTEMS INC.</p>	
<p>NEXT ASSY</p>		<p>USED ON</p>		<p>TITLE INTERFACE CONTROL DRAWING NSI-SC-5635 (RT300)</p>	
<p>NSI PROPRIETARY This document contains proprietary information and except with written permission of Nearfield Systems, Inc. such information shall not be published or disclosed to others, or to be used for any purpose, and the document shall not be copied in whole or in part.</p>		<p>APPROVALS</p> <p>DRAWN G. McADAMS 07/18/07 CHECKED J. DEMAS 07/18/07 APPROVED G. McADAMS 07/18/07</p>		<p>SCALE 1/1</p>	
<p>DO NOT SCALE DRAWING</p>		<p>REMARKS</p>		<p>SIZE D CAGE CODE OKDP3 DWG NO. NSI-SC-5635 REV. - PROJECT RT300B EST. WEIGHT 85.0 lbs. SHEET 1 of 2</p>	