

NOTES UNLESS OTHERWISE SPECIFIED:

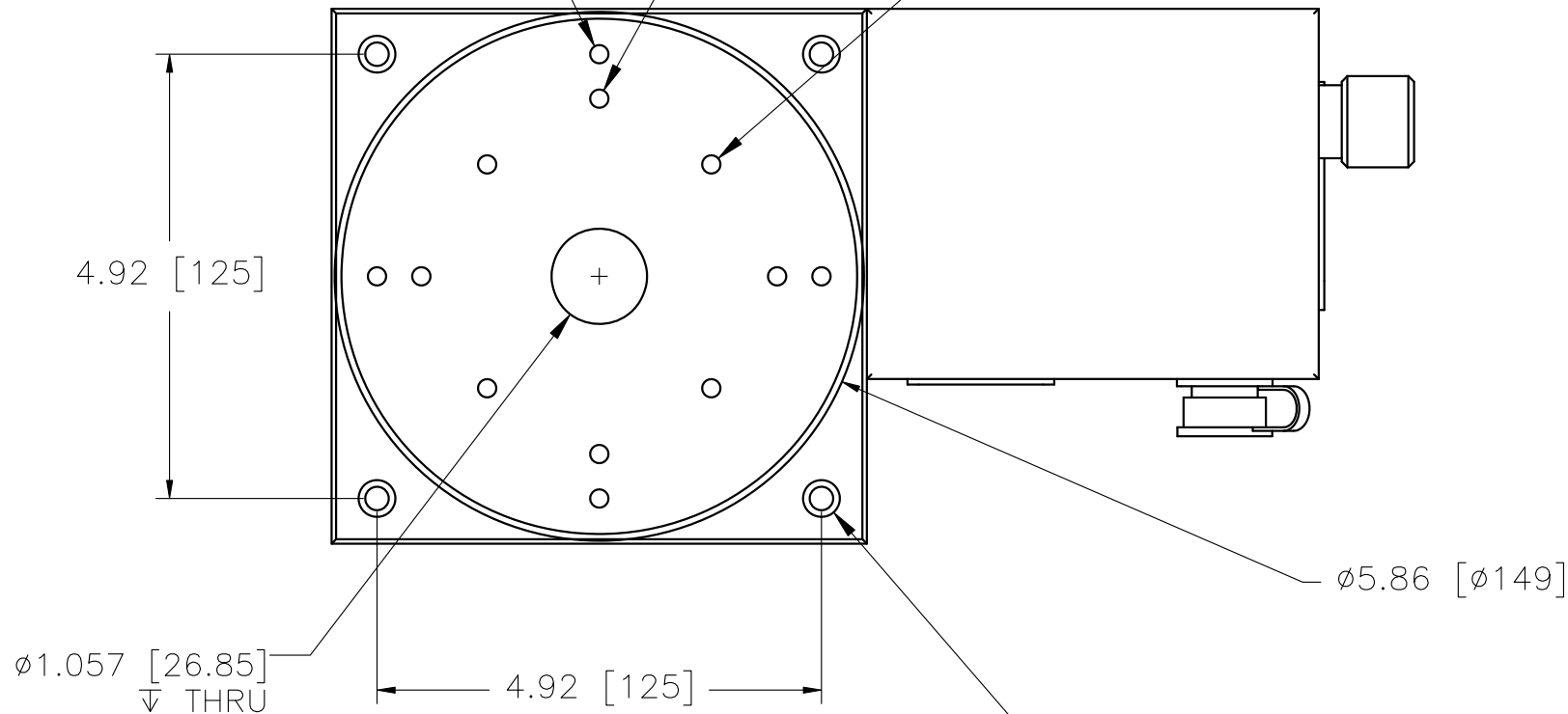
1. UNIT WEIGHT 15 LB [6.8 kG]

REVISIONS						
CN NUMBER	REV	DESCRIPTION	DWN	RVD	APPR	DATE
		Initial Release				

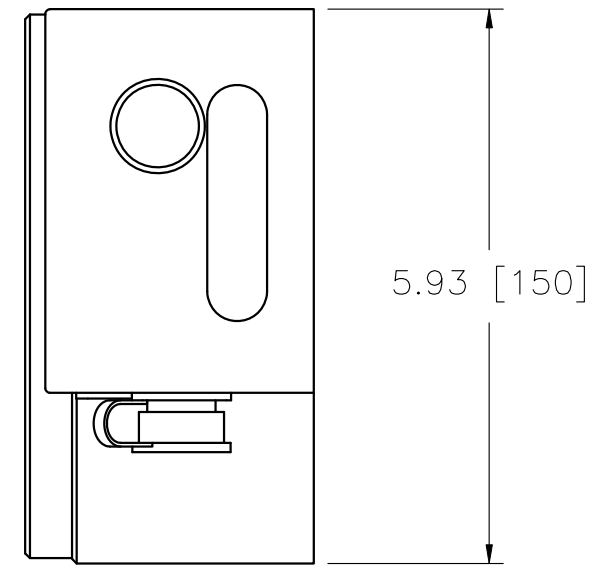
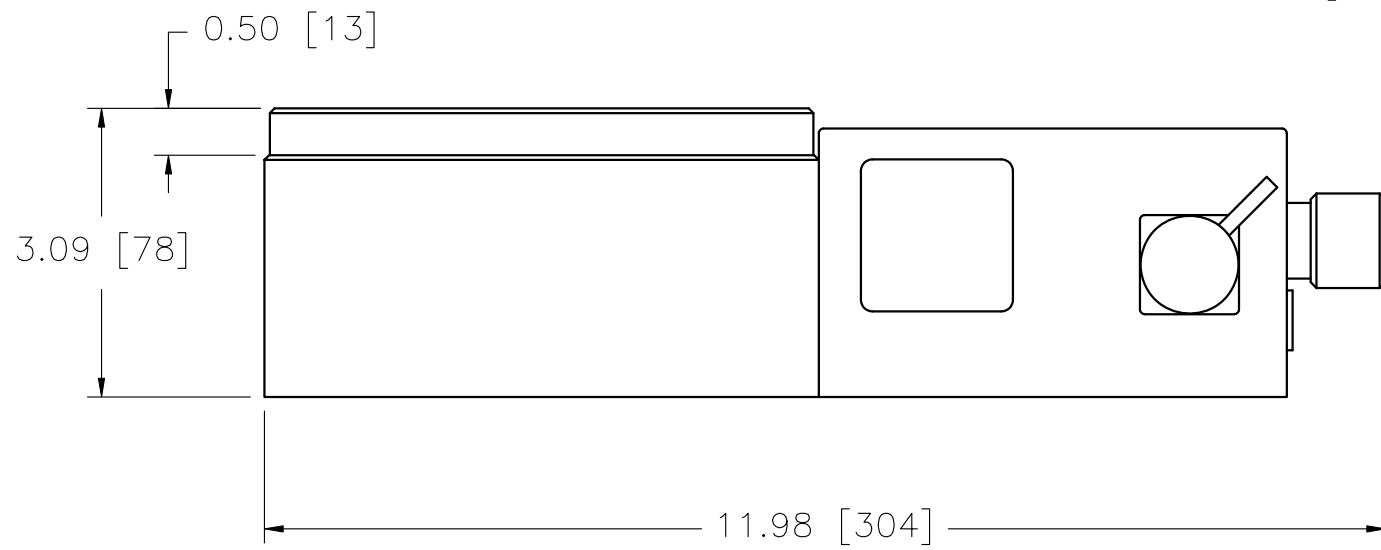
4X M6 x 1 THREAD
EQ. SPACED ON A
4.921 [125] BOLT CIRCLE
0.236 [6] MAX THREAD DEPTH

4X M6 x 1 THREAD
EQ. SPACED ON A 3.937 [100] BOLT CIRCLE
0.236 [6] MAX THREAD DEPTH

4X M6 x 1 THREAD
EQ. SPACED ON A 3.507 BOLT CIRCLE
0.236 [6] MAX THREAD DEPTH



4X $\phi 0.261$ [6.6] THRU
C-BORE $\phi 0.41$ [10.3] X 0.375 [9.5] DEEP



NEXT ASSY		USED ON		UNLESS OTHERWISE SPECIFIED DIMENSIONS ARE IN INCHES TOLERANCES ARE: FRACTIONS DECIMALS ANGLES $\pm 1/64$.XX ± 0.1 $\pm 1^\circ$.XXX ± 0.10 BREAK CORNERS: .01/.02 SURFACE ROUGHNESS $\sqrt{32}$		CONTRACT NO.		NSI NEARFIELD SYSTEMS INC.	
NSI PROPRIETARY This document contains proprietary information and except with written permission of Nearfield Systems, Inc. such information shall not be published or disclosed to others, or to be used for any purpose, and the document shall not be copied in whole or in part.				MATERIAL		APPROVALS		TITLE	
FINISH				DO NOT SCALE DRAWING		G. McADAMS 10/04/06		INTERFACE CONTROL DRAWING NSI-SC-5633 (RT150)	
SCALE		PROJECT		EST. WEIGHT		SHEET		REV.	
1/1		RT150B		14.5 Lbs.		1 of 1		-	