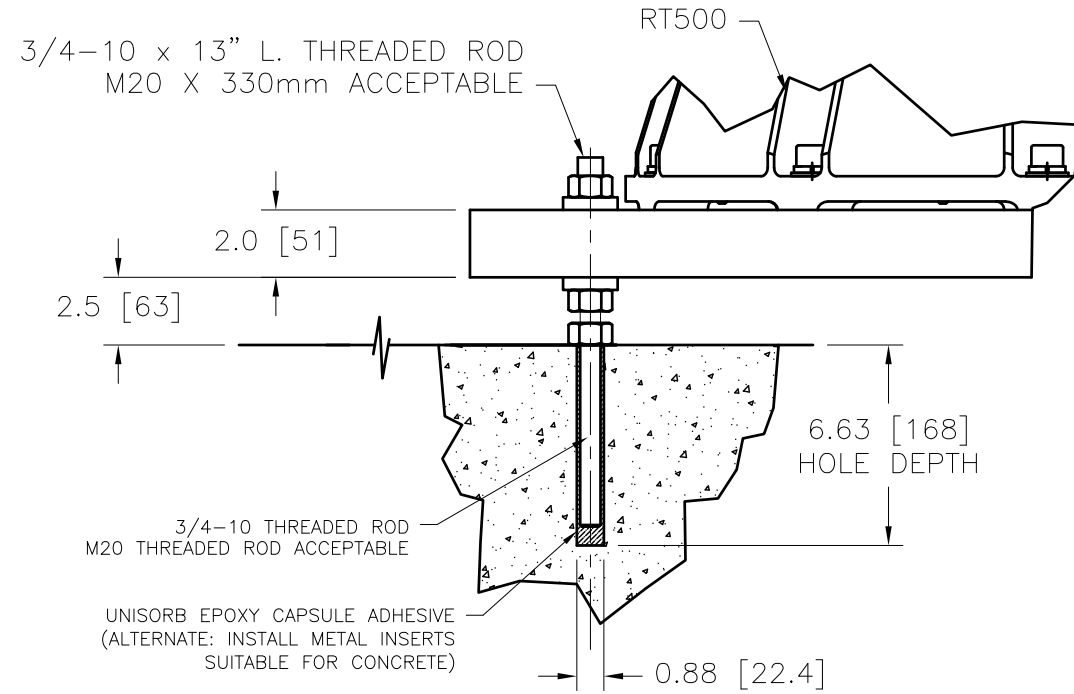


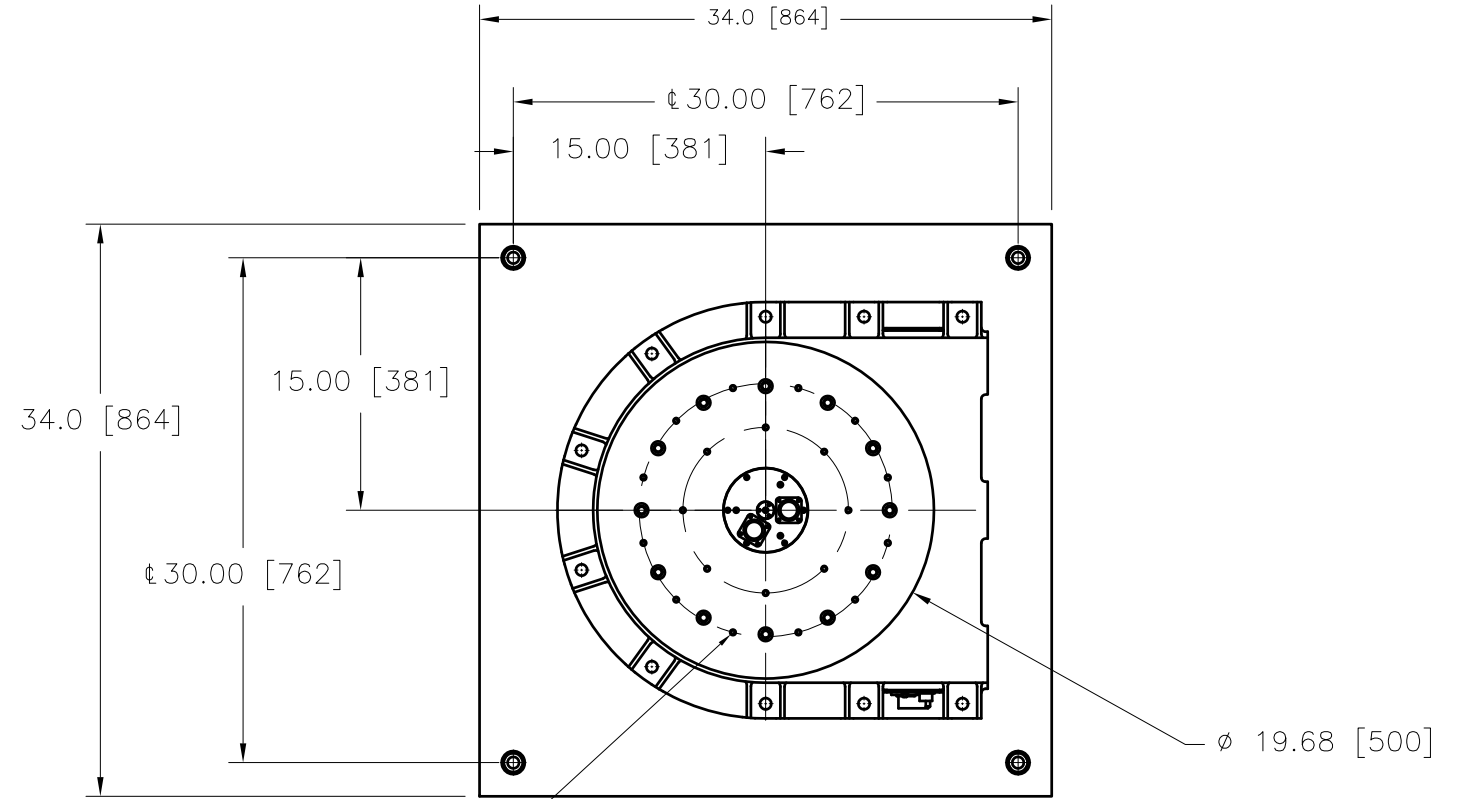
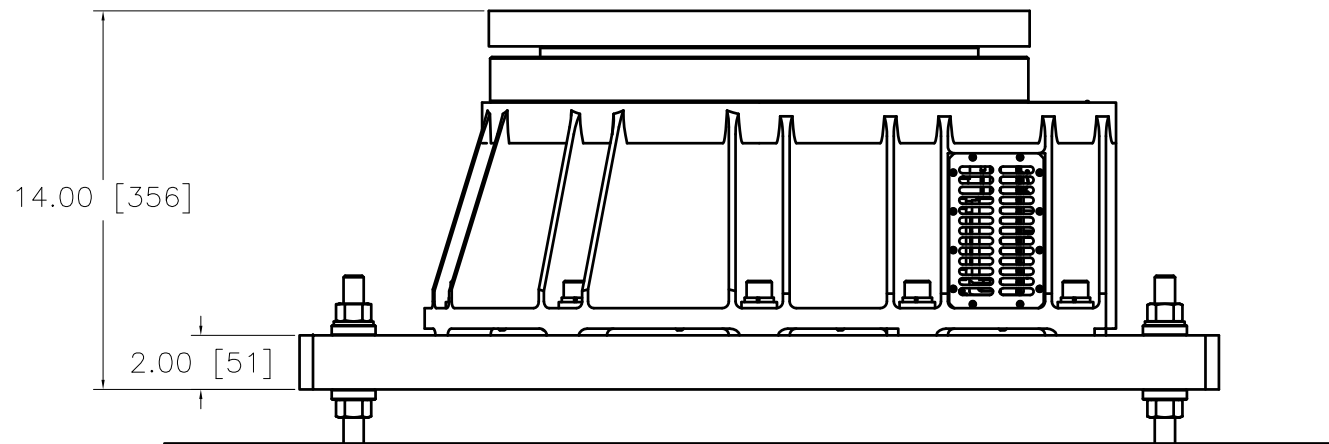
NOTES UNLESS OTHERWISE SPECIFIED:

REVISIONS						
CN NUMBER	REV	DESCRIPTION	DWN	RVD	APPR	DATE
		Initial Release				



NOTE: DRILL HOLE LOCATIONS WITHIN 1/8" [3] OF THEORETICAL POSITIONS

RT500 PLATE TO FLOOR



RT500 MOUNTING PLATE

12x M8X1.25 THREAD
0.630 [16] DEEP, EQ. SPACED
ON A ϕ 15.033 [382] B.C.

---		UNLESS OTHERWISE SPECIFIED DIMENSIONS ARE IN INCHES TOLERANCES ARE:		CONTRACT NO.		NSI NEARFIELD SYSTEMS INC.	
NEXT ASSY		USED ON		APPROVALS		DATE	
NSI PROPRIETARY		This document contains proprietary information and except with written permission of Nearfield Systems, Inc. such information shall not be published or disclosed to others, or to be used for any purpose, and the document shall not be copied in whole or in part.		DRAWN G. McADAMS		07/18/07	
DO NOT SCALE DRAWING		MATERIAL		CHECKED J. DEMAS		07/18/07	
		FINISH		APPROVED G. McADAMS		07/18/07	
				REMARKS		NO	
				SIZE		D	
				CAGE CODE		OKDP3	
				DWG NO.		NSI-SC-5638	
				REV.		-	
				SCALE		1/1	
				PROJECT		RT500	
				EST. WEIGHT		1000 Lbs.	
				SHEET		1 of 1	