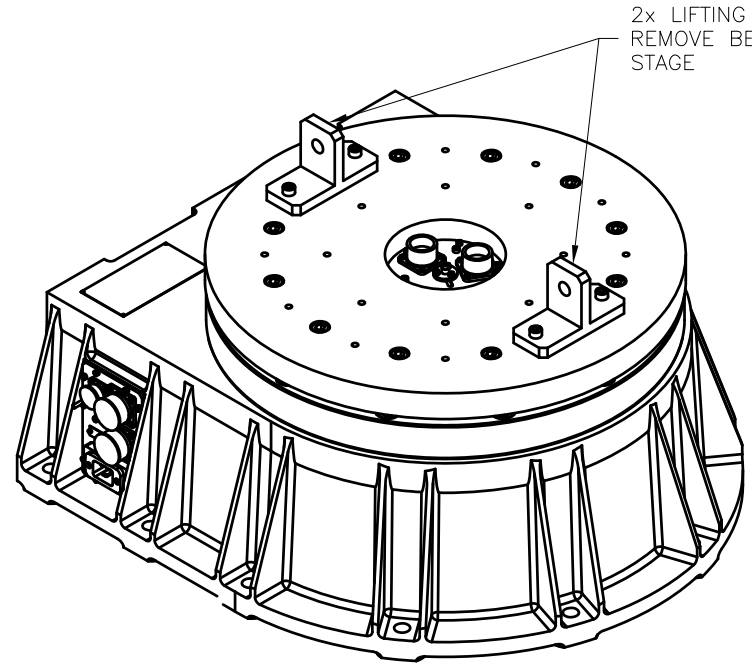
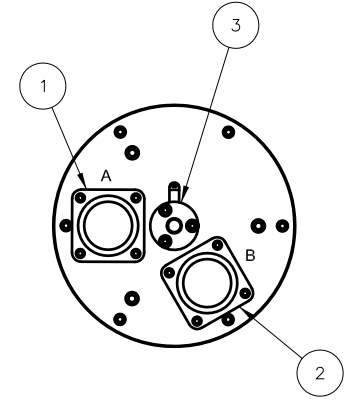
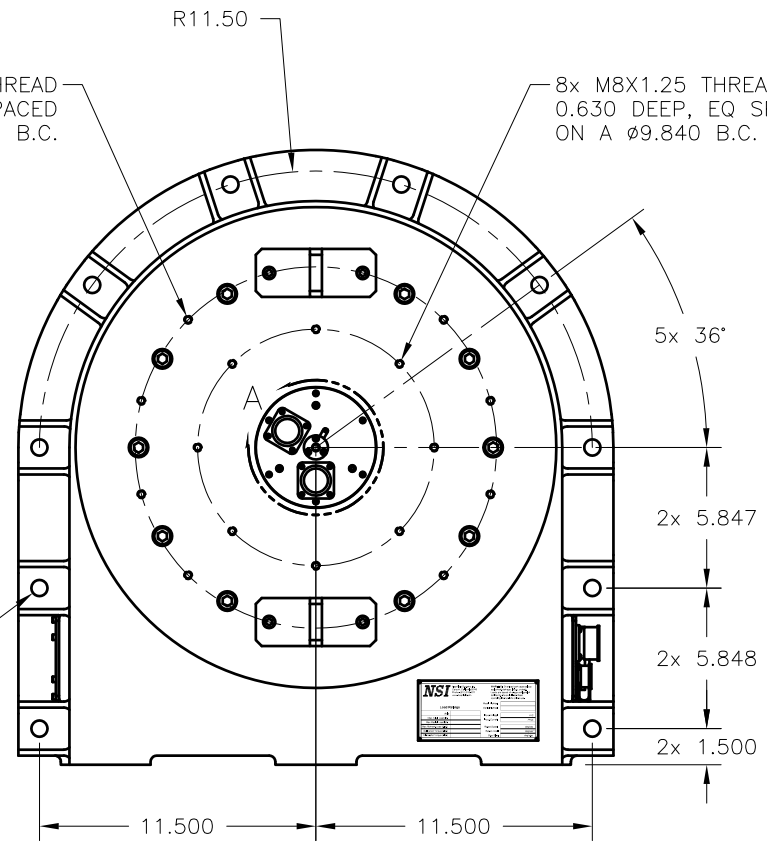


REVISIONS						
CN NUMBER	REV	DESCRIPTION	DWN	RVD	APPR	DATE
010831KP2	A	UPDATED ASSEMBLY TO REFLECT CURRENT BUILT	EL	HOT	GEM	05/01/02
020913GEM3	B	UPDATED ICD TO REFLECT CURRENT BUILT	EL	HOT	GEM	10/01/02
040121CPR4	C	UPDATED ICD TO REFLECT CURRENT BUILT	EL	BW	GEM	03/11/04
040809GEM4	D	UPDATED DETAIL B; ADD 5/8-18 THD. CALLOUT	REK	EL	GEM	03/28/05

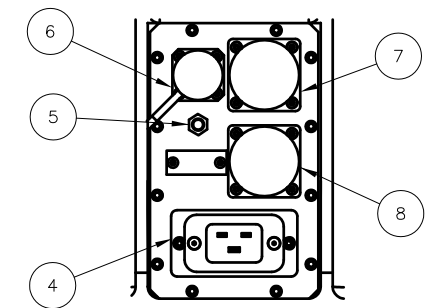


12x M8X1.25 THREAD  
0.630 DEEP, EQ. SPACED  
ON A Ø15.033 B.C.

8x M8X1.25 THREAD  
0.630 DEEP, EQ SPACED  
ON A Ø9.840 B.C.

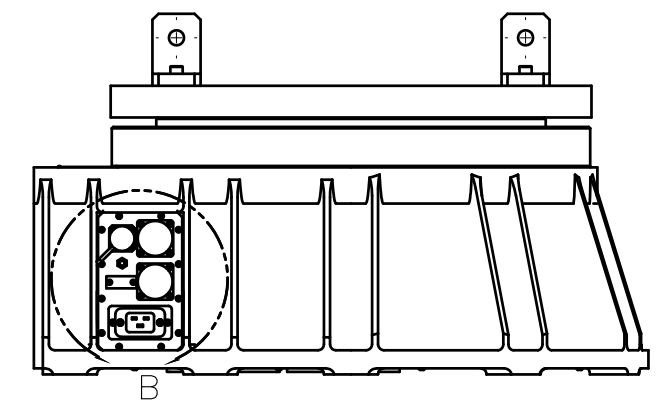
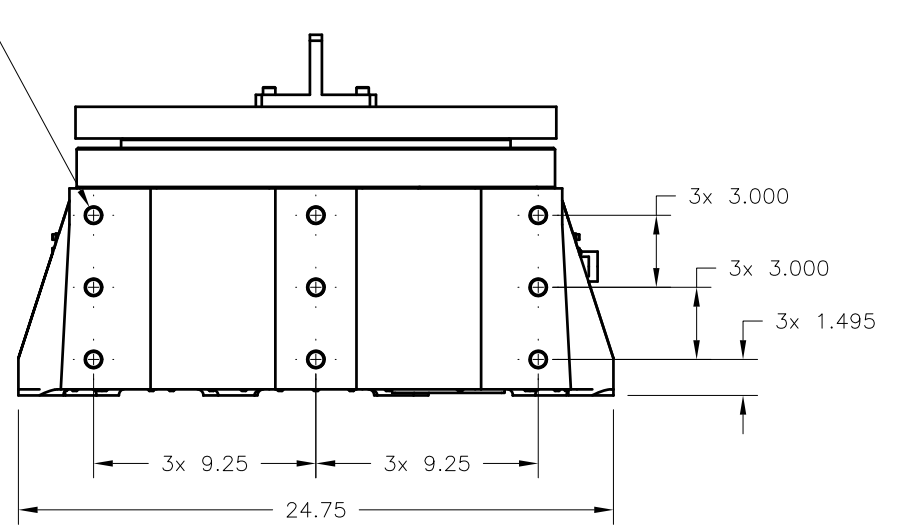
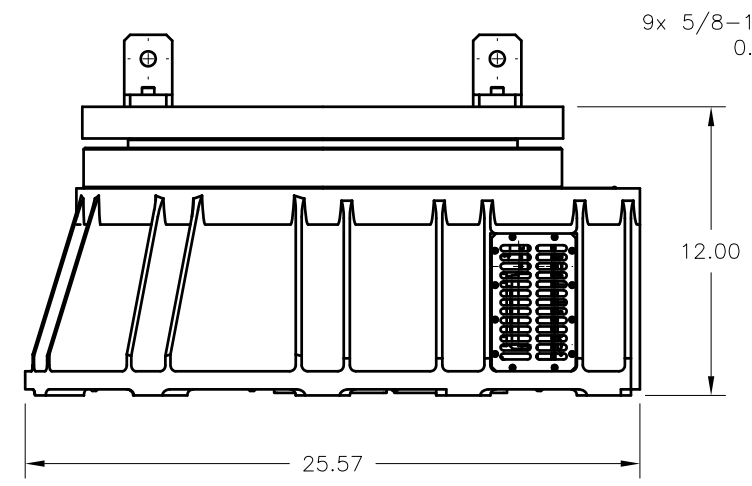


DETAIL A



DETAIL B

1. SLIP RING OUTPUT-ACCESSORY (A)
  2. SLIP RING OUTPUT-PHI (B)
  3. RF ROTARY JOINT 0-18GHz OR 40GHz
  4. POWER CONNECTION
  5. RF CONNECTION
  6. AZ STAGE CONTROL CONNECTION
  7. SLIP RING INPUT-ACCESSORY (A)
  8. SLIP RING INPUT-PHI (B)
- MS CONNECTOR P.N. 97-3102A-20-27S  
MS CONNECTOR P.N. 97-3102A-20-27SX  
SMA FEMALE OR 2.9mm  
IEC 320 C-20 110VAC OR 240VAC  
SMA FEMALE OR 2.9mm  
JAEGER CONNECTOR  
MS CONNECTOR P.N. 97-3102A-20-27P  
MS CONNECTOR P.N. 97-3102A-20-27PX



B

—	A005
NEXT ASSY	USED ON
NSI PROPRIETARY	
This document contains proprietary information and except with written permission of Nearfield Systems, Inc. such information shall not be published or disclosed to others, or to be used for any purpose, and the document shall not be copied in whole or in part.	

UNLESS OTHERWISE SPECIFIED DIMENSIONS ARE IN INCHES TOLERANCES ARE:		
FRACTIONS	DECIMALS	ANGLES
± 1/64	.XX ±.03 .XXX ±.010	± 1°
BREAK CORNERS: .01/.02		
SURFACE ROUGHNESS		
MATERIAL	—	—
FINISH	—	—
DO NOT SCALE DRAWING		

CONTRACT NO.	
APPROVALS	DATE
DRAWN E. LOPEZ	04/05/02
CHECKED H. TYLER	03/20/01
APPROVED P. BOND	03/20/01
3D MODEL	Yes
REMARKS	

<b>NSI</b> NEARFIELD SYSTEMS INC.			
TITLE			
INTERFACE CONTROL DRAWING, RT500			
SIZE	CAGE CODE	DWG NO.	REV.
D	OKDP3	664501	D
SCALE	PROJECT	EST. WEIGHT	SHEET
1/4	RT500	290 Lbs.	1 of 1