

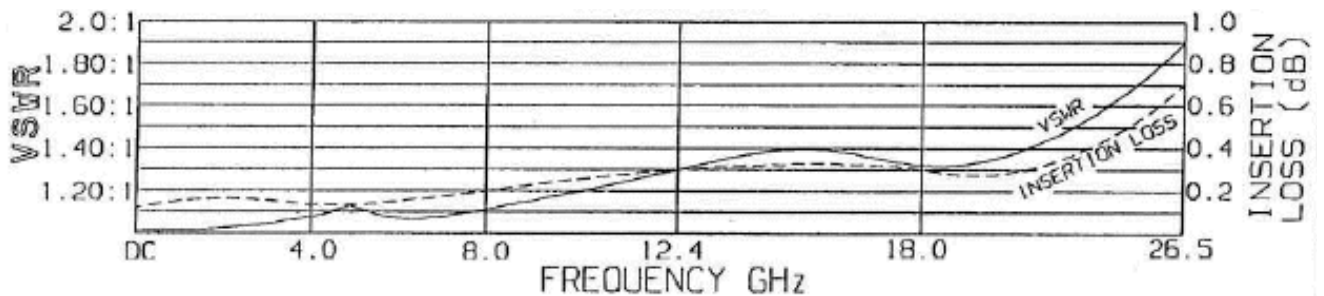
NSI-RF-5923

Single Channel Rotary Joint

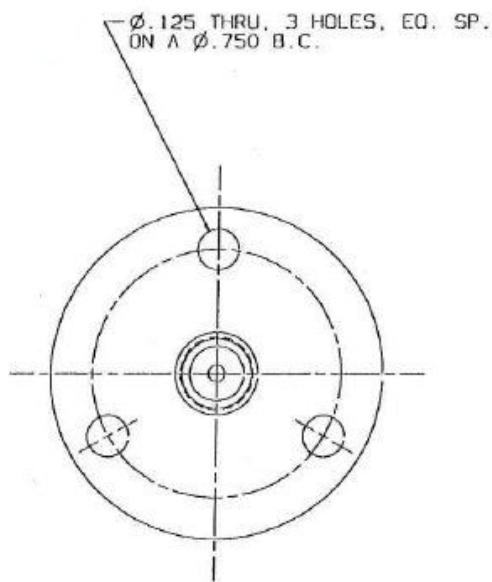


### DESCRIPTION

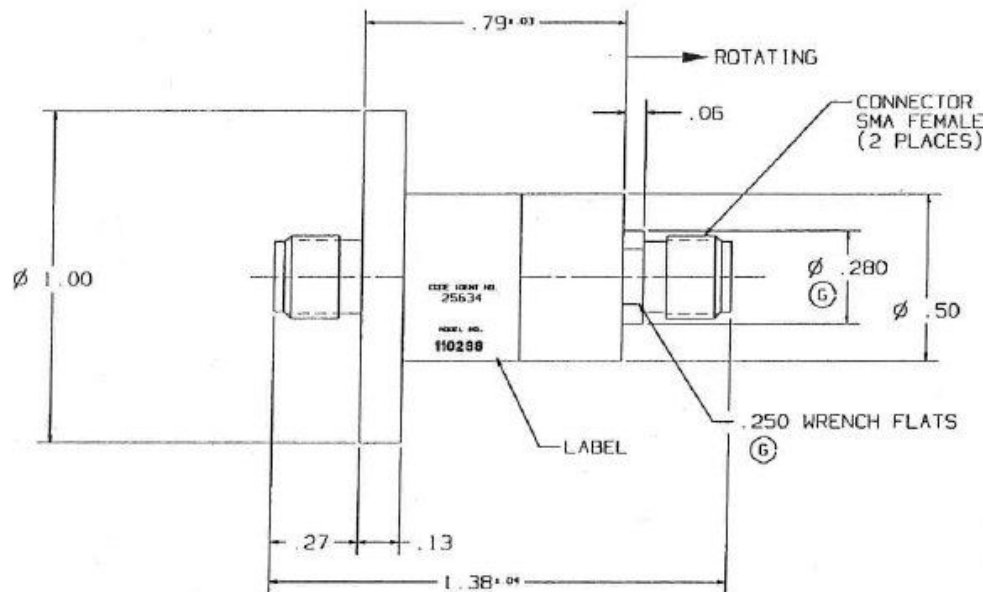
NSI's DC-26.5 GHz Rotary Joint allows RF signals to pass thru our rotation stages with no need for flexible RF cables. These are typically used in our probe rotation stages, as well as our far-field and cylindrical near-field azimuth stages, and the azimuth and phi stages in our spherical systems. For systems requiring external mixers mounted on moving devices, the rotary joint can pass the RF signal as well as the LO and IF signals to and from the mixer.



SPECIFICATIONS	
NSI Model	NSI-RF-5923
Connector	SMA f/f
Frequency (GHz)	DC-26.5
VSWR	1.40 (up to 18GHz), 1.90 (18 - 26.5GHz)
WOW	1.1 (up to 26 GHz), 1.5 (26 - 40 GHz)
Insertion Loss (dB)	0.4 (up to 18GHz), 0.9 (18 - 26.5GHz)
Peak Power (kW)	3
Ave. Power (W)	500
Rotate Speed (Rpm)	500



F	REVISED SPEC'S /ECO 5642	01/17/95
G	ADDED Ø.280 & .250(WRENCH FLATS)	04/2/97



## DIMENSIONS

- ◆ Weight - 2 oz. (57 g)
- ◆ Length (A) - 1.38" (35 mm)
- ◆ Diameter (B) - 0.50" (13 mm)

## ORDERING INFORMATION

Please contact the NSI Sales department to order this product.

### Nearfield Systems, Incorporated

19730 Magellan Drive, Torrance, CA 90502, USA, Tel: 310.525.7000, Fax: 310.525.7100  
Email: sales@nearfield.com. Visit our website: www.nearfield.com